



HNP006 Series

FLUID CONDITIONING PURIFIER

Fluid viscosities to 700cSt

Reliability of systems and the life of system components and fluids can be extended by minimizing water contamination.

The Pall HNP006 purifier is designed to remove water from oil in low volume systems or where access for conditioning equipment is limited.

Benefits

- High-performance water, gas, and particulate removal
- Simple automated operation
- 120V single phase electric connection
- Extended fluid life
- Minimized corrosion within systems
- Increased equipment reliability
- Reduced operating costs



Pall HNP006 Portable Oil Purifier (front view)



Pall HNP006 Portable Oil Purifier (rear view)

Pall purifiers remove 100% of free water and in excess of 80% of dissolved water. They also remove 100% of free and entrained gases and in excess of 80% of dissolved gases.

The Pall HNP006 fluid conditioning purifier can be used as a fixed installation or portable unit that is easily removed and connected to any fluid system.

This compact purifier design is based on Pall's existing range of fluid conditioning products. Its size and weight allow for ease of handling through restricted openings and can be located close to existing systems where space is limited.

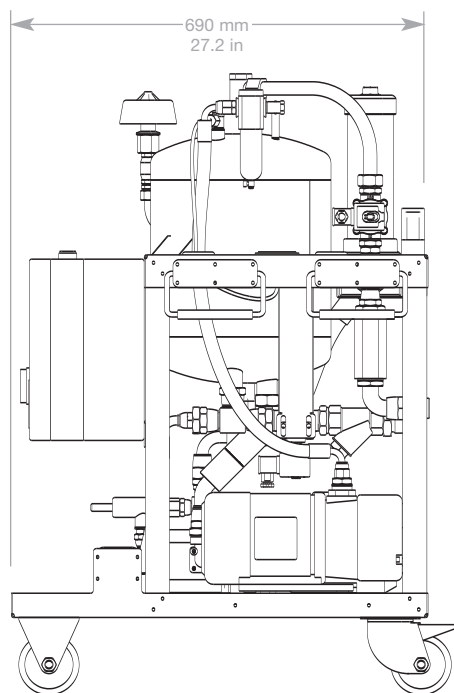
General Specifications

Dimensions:	690 mm x 450 mm x 1030 mm (27.2" x 17.7" x 40.6")
Dry mass:	69 kg (152 lb.)
Inlet connections:	1 ¼" NPT
Outlet connections:	1" NPT
Flow Rate:	4.5 lpm (1.2 gpm)
Inlet pressure:	10 bar g (150 psi) maximum
Outlet pressure:	7 bar g (100 psi) maximum
Service temperature:	10°C to 70°C (50°F to 158°F)
Fluid viscosity:	700 cSt maximum
Operating vacuum:	-0.6 to -0.8 bar g (adjustable)
Power supply:	120V, 60 Hz single phase

Materials of Construction

Base Frame, Vessel	304 Stainless steel
Control box:	Plastic
Hoses:	Fluorocarbon
Seals:	Fluorocarbon

Note: Pall fluid conditioning purifiers comply with all applicable EC directives and bears the CE mark.



Ordering Information

Purifier Part Number= HNP006 G6 ZCT
HNP006 A++

Note: Please specify both part numbers when ordering.

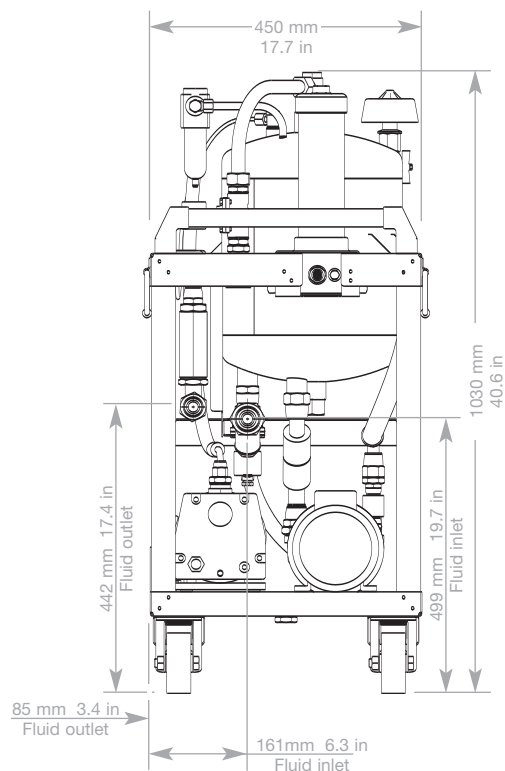
Replacement Element Part Number= UE219  08Z

Replacement Air Breather Element= R01F400

Other options available on request.

Table 1. Element Rating

Code	Filter Rating
AZ	$\beta_{2.5(c)} \geq 1000$
AP	$\beta_{5(c)} \geq 1000$
AN	$\beta_{7(c)} \geq 1000$
AS	$\beta_{12(c)} \geq 1000$
AT	$\beta_{22(c)} \geq 1000$



Industrial Manufacturing
25 Harbor Park Drive
Port Washington, NY 11050


888.333.7255 toll free
516.484.3600 phone
516.484.6247 fax

Filtration. Separation. Solution.sm

Visit us on the Web at www.pall.com

Pall Corporation has offices and plants throughout the world in locations including: Argentina, Australia, Austria, Belgium, Brazil, Canada, China, France, Germany, India, Indonesia, Ireland, Italy, Japan, Korea, Malaysia, Mexico, the Netherlands, New Zealand, Norway, Poland, Puerto Rico, Russia, Singapore, South Africa, Spain, Sweden, Switzerland, Taiwan, Thailand, United Kingdom, United States, and Venezuela. Distributors are located in all major industrial areas of the world.

Because of developments in technology these data or procedures may be subject to change. Consequently we advise users to review their continuing validity annually. Part numbers quoted above are protected by the Copyright of Pall Corporation.

© Copyright 2006, 2003 Pall Corporation. Pall, , are trademarks of Pall Corporation. © Indicates a Pall trademark registered in the USA. *Filtration. Separation. Solution.sm* is a service mark of Pall Corporation.